

This drawing remains our property and is not to be copied without our permission, nor to be communicated to any competitor or other unauthorized person.

4

3

2

1

F

E

D

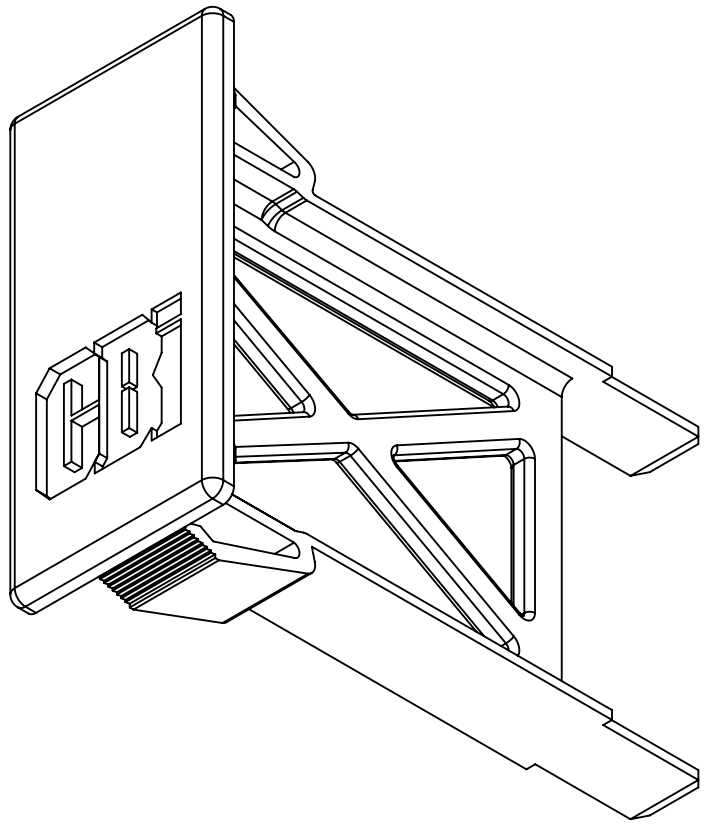
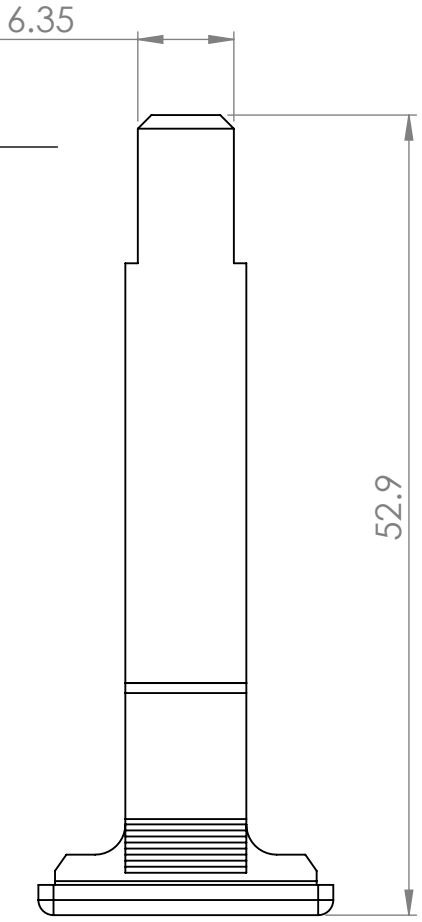
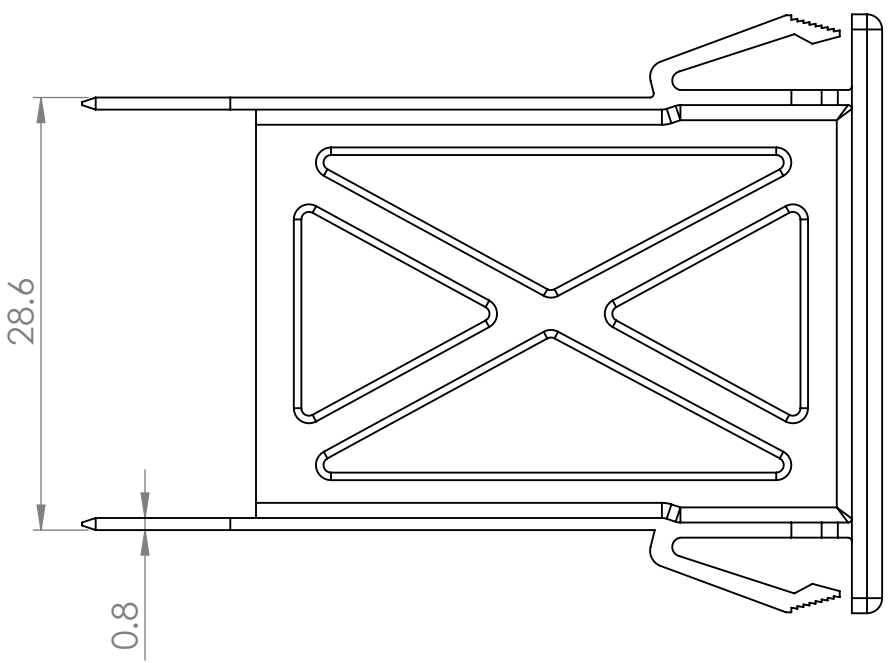
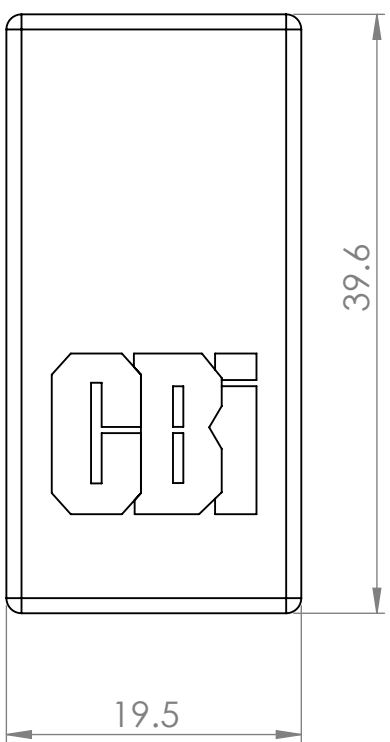
F

E

D

C

B



Note 1
See solid model for more dimensions

Drawn by Marten Km	Date 20-12-11	Approved by	Date	Material MJF PA12 Black/PA66	Weight 4.00 g	Surface finish	Projection 	
				Description B-frame cover front and rear	Tolerance (Unless otherwise stated)	Size A4	Scale 2:1	Sheet 1of (1)
					Drawing number EC204704-2WEB	Revision A		