



B-Frame Standard DC Range

The CBI B-frame circuit breaker range is the most compact and robust hydraulic-magnetic circuit breaker with current rating up to 30A. It's a perfect solution as a distribution circuit breaker where the space is limited, and you would like to easily switch of a load. It has all international approvals.

Emcomp have chosen to create a standard range which is always kept on stock for best cost and availability. Other options exist as well, contact us for further information. The standard range is built for DC voltages up to 80 VDC with rated current from 2A up to 30A. The handle is the popular "protected rocker" with side protection to avoid accidental switching of the breaker. The characteristics is a medium time delay. Mounting is done just by "click in" the circuit breaker in a defined hole size.

Applications

- MCB Distributions
- Lighting equipment
- Office equipment
- Power supplies
- Telecom power distribution
- Small generators and motors
- Railway signalling systems
- Entertainment systems
- Vending machines
- Power distribution units (PDU)
- Suitable for motor starting
- Solar and renewable power

Features

- DC circuit breaker
- Hydraulic-Magnetic Technology
- 100% Rating Capability Independent of Ambient Temperature
- VDE, EAC and CCC approved
- UL Listed (UL 489A)
- IEC/EN 60934
- Ratings up to 30A
- Precision Tripping
- Ultra Compact
- Reset Immediately After Overload
- Switch and circuit breaker in one shell

Technical data

DATA	
TOLERANCE	± 0.4 mm UNLESS STATED
CASING MATERIAL	POLYAMIDE (V-0 @ 0.8 mm)
CONFIGURATION	HYDRAULIC MAGNETIC CIRCUIT BREAKER
MAXIMUM OPERATING VOLTAGE	80V DC
INTERRUPTING CAPACITY	0.6kA @ 80V DC
OPERATING TEMPERATURE	-40° C TO +85° C
APPROVALS	UL489A VDE (IEC/EN 60934)
HANDLE	BLACK (I/O & ON/OFF & AMP RATING)

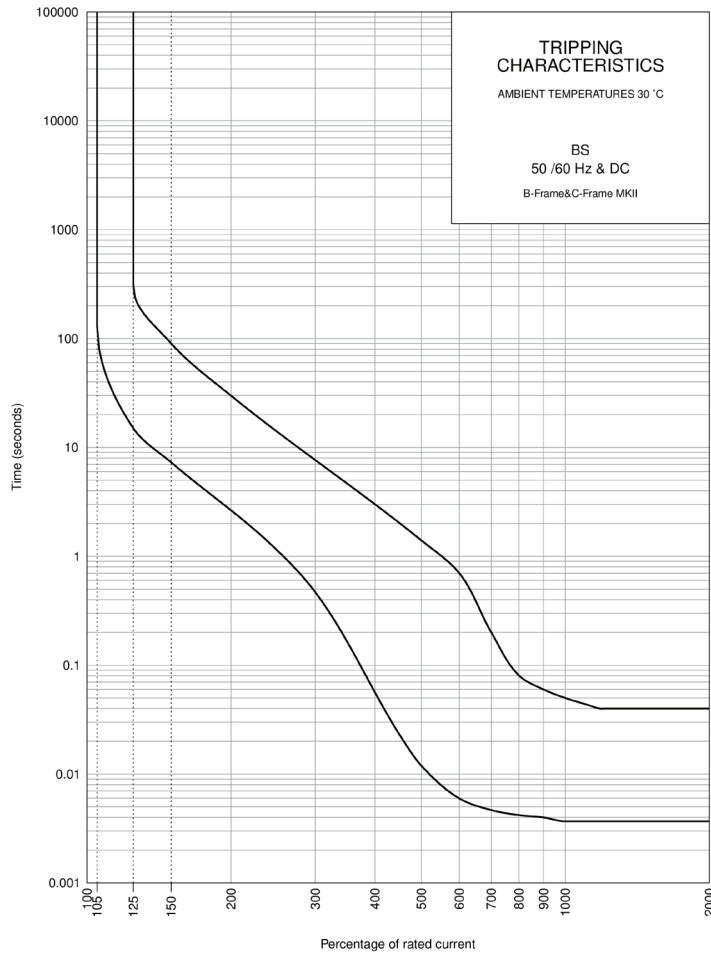
PRODUCT	
Item No	Rated Current
BDBH0410U	2A
BDBH0424U	4A
BDBH0411U	6A
BDBH0412U	10A
BDBH0413U	16A
BDBH0414U	20A
BDBH0415U	25A
BDBH0416U	30A



EMCOMP
CIRCUIT PROTECTION TO RELY ON

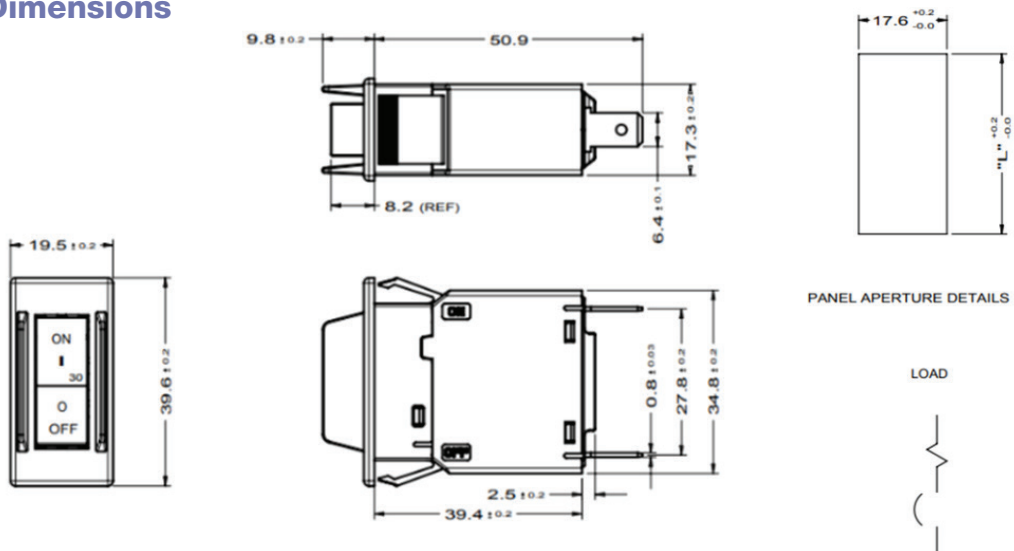
GBI electric
Europe

Medium Time Delay Curve- BS Curve

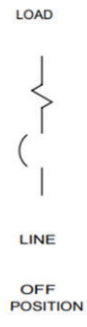


PERCENTAGE OF RATED CURRENT	100%	125%	135%	150%	200%	300%	400%	500%	600%	700%	800%	900%	1000%	1200%
MINIMUM TRIP TIME IN SECONDS	NO TRIP	15	10.5	7.3	2.6	0.47	0.06	0.012	0.006	0.0047	0.0042	0.004	0.0037	0.0036
MAXIMUM TRIP TIME IN SECONDS	NO TRIP	300	147	90	30	8	3.2	1.4	0.7	0.2	0.08	0.05	0.045	0.04

Outline Dimensions



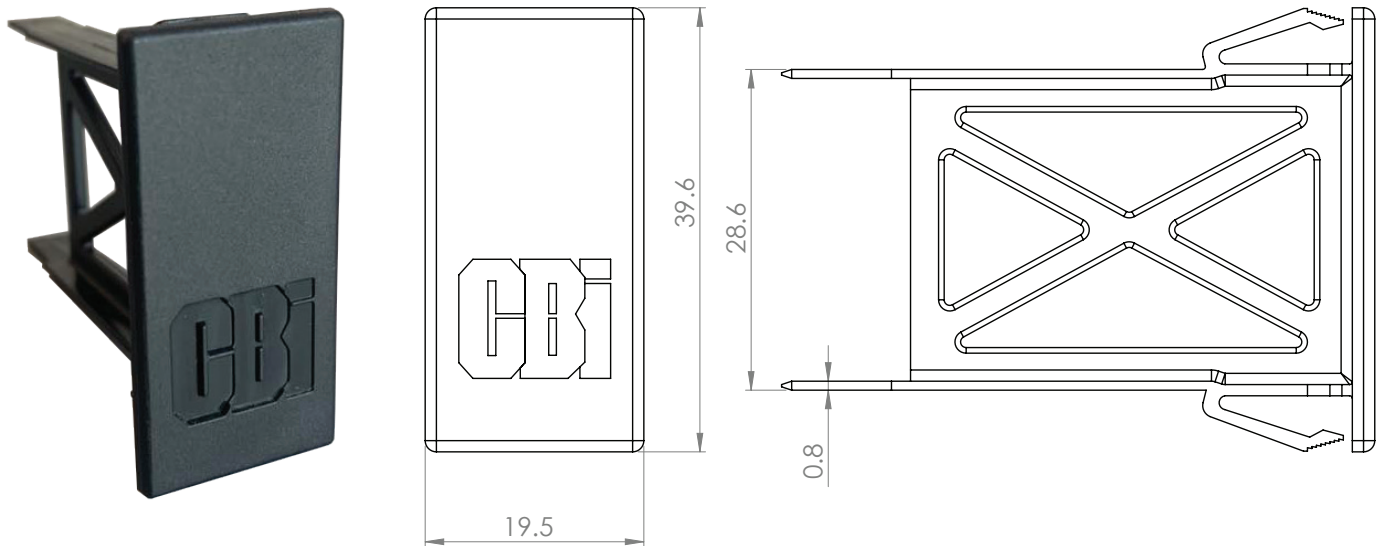
PANEL THICKNESS	1.0-1.6mm	1.7-2.6mm	2.7-3.2mm
"L" SIZE	35.2	36.0	36.4



Accessories

Cover for empty positions in your distribution. Works for both snap in in a front plate as well as mounted in female terminal contacts. Esthetical as well as safe solution.

Escutcheon blanks for empty slots, Item Number EC204704-2

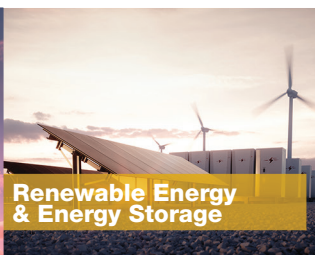


EMCOMP
CIRCUIT PROTECTION TO RELY ON

Gbi electric
Europe



Telecom



Renewable Energy
& Energy Storage



Data Center



Rolling Stock
& Signalling



Marine & Offshore

Contact us • www.emcomp.se • info@emcomp.se

Emcomp International AB, Tomtagatan 17, 702 32 Örebro, Sweden, +46 (0)581 62 15 50